

Changes  
1.



All information contained on this drawing is copyright of futarque A/S Denmark.  
Legal actions will be taken against any company using or copying the design/ideas  
or information contained on this drawing without prior written permission.

Title 15000_C1_RasPiB+		Variant <Variant Name>	
Size A	Document Number 15000-3-00001	Rev 3.0	
Date: Wednesday, January 27, 2016		Sheet 1	of 12

5

4

3

2

1

D

D

C

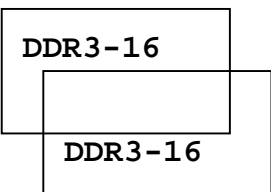
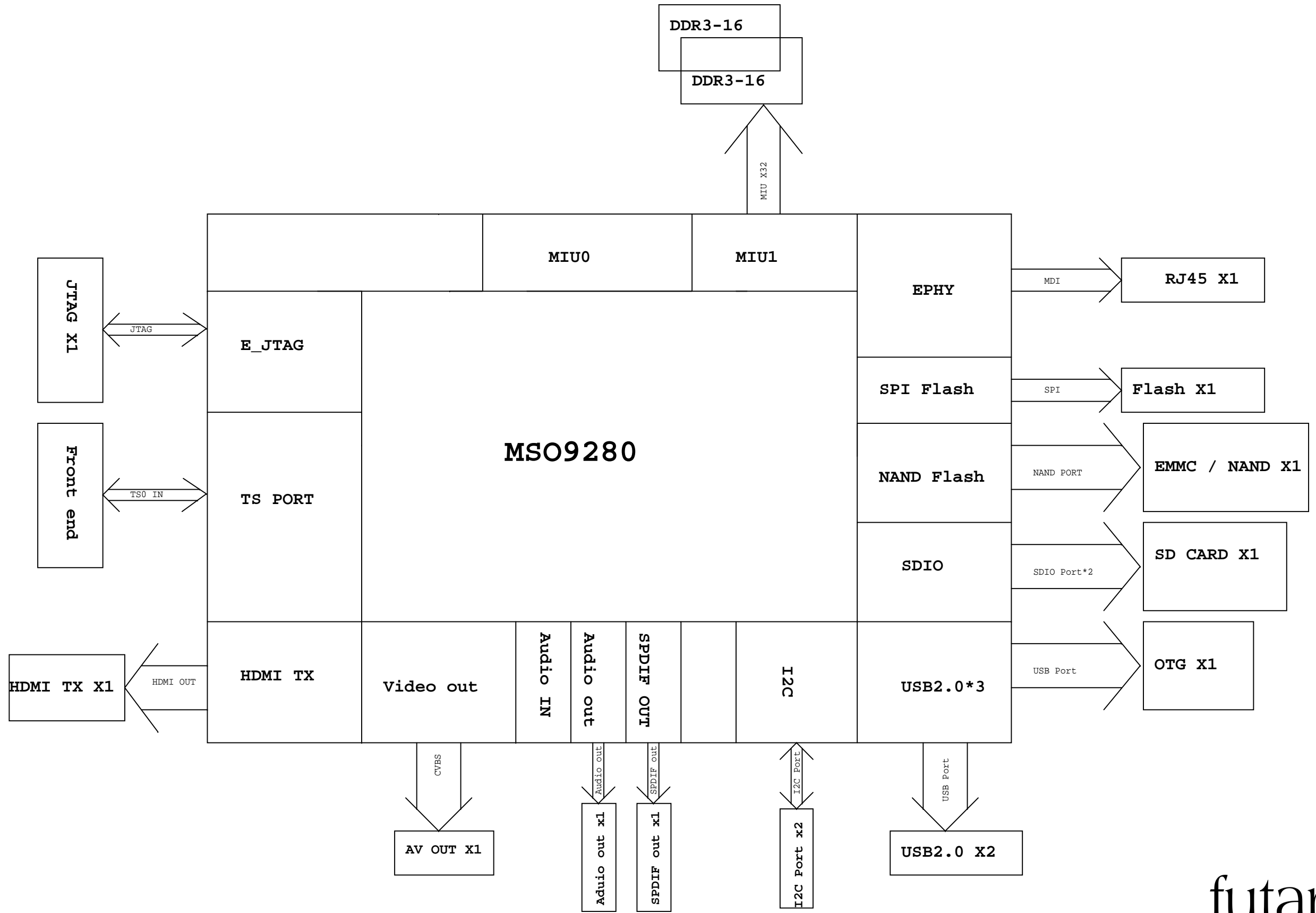
C

B

B

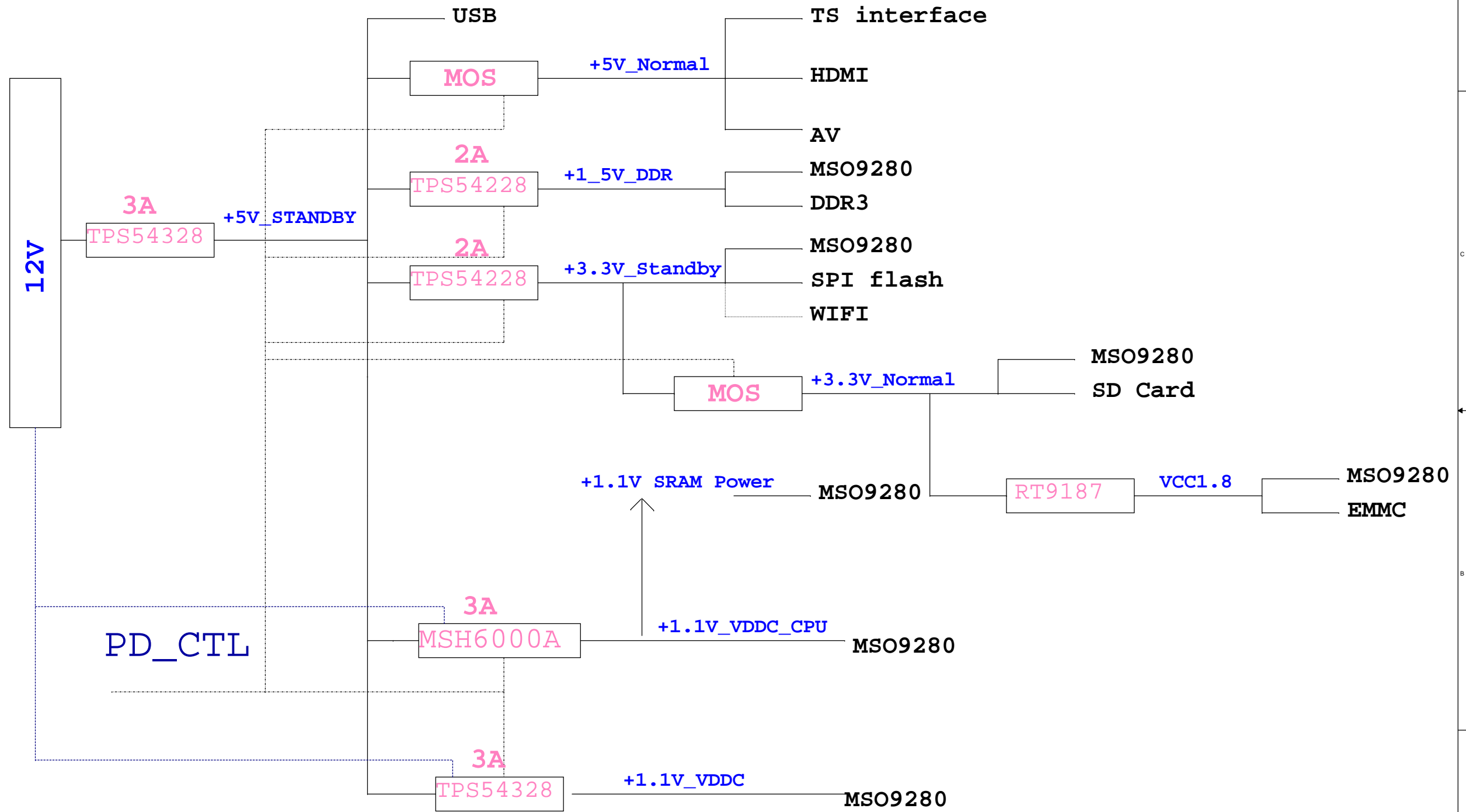
A

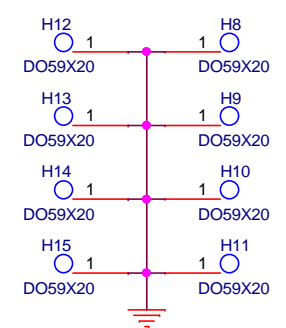
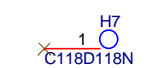
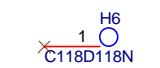
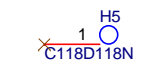
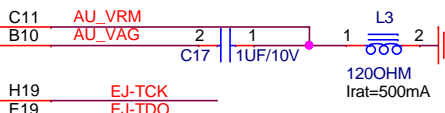
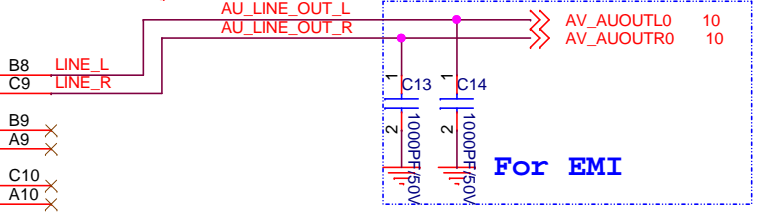
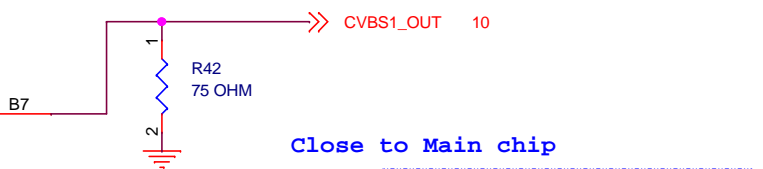
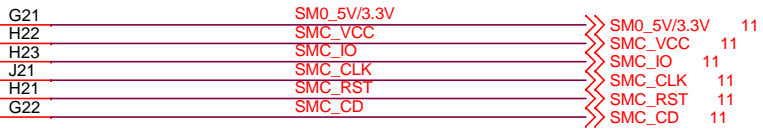
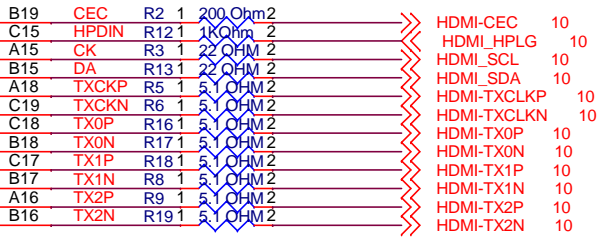
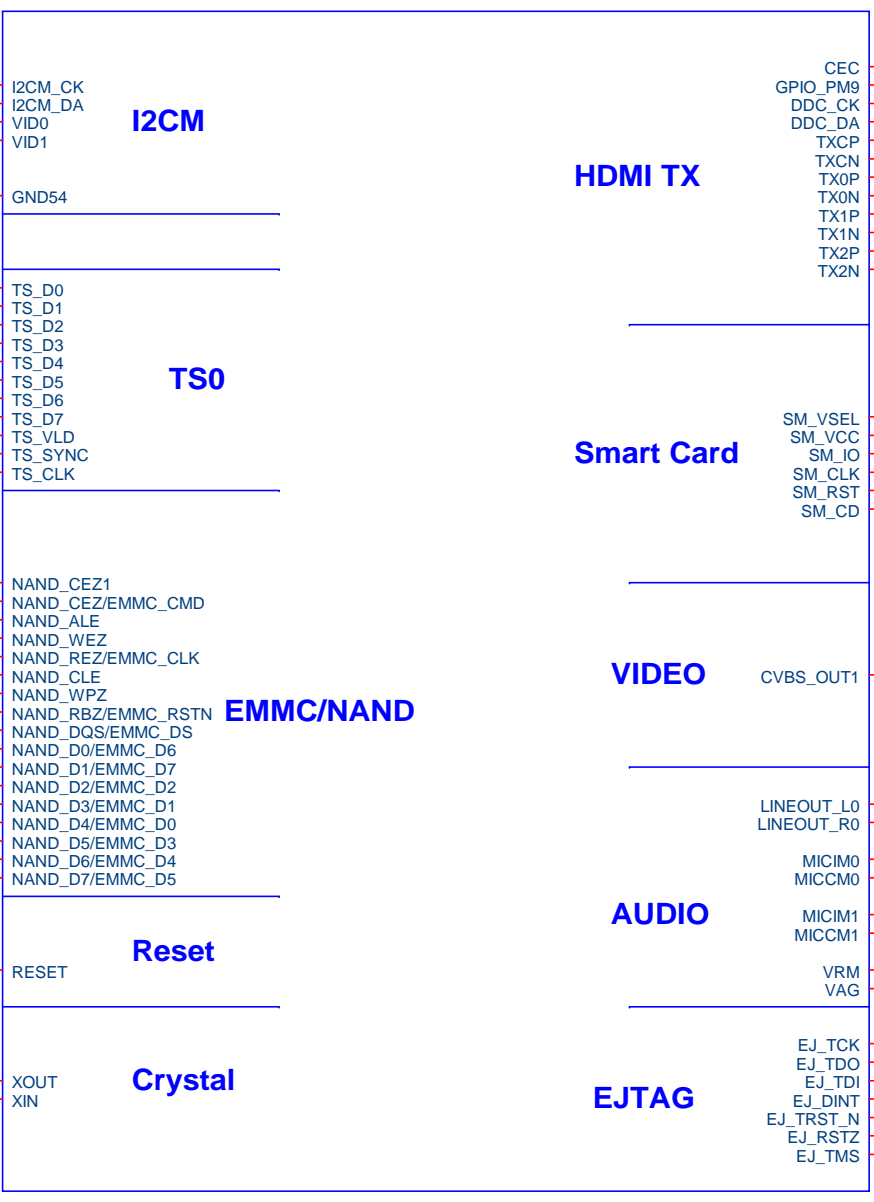
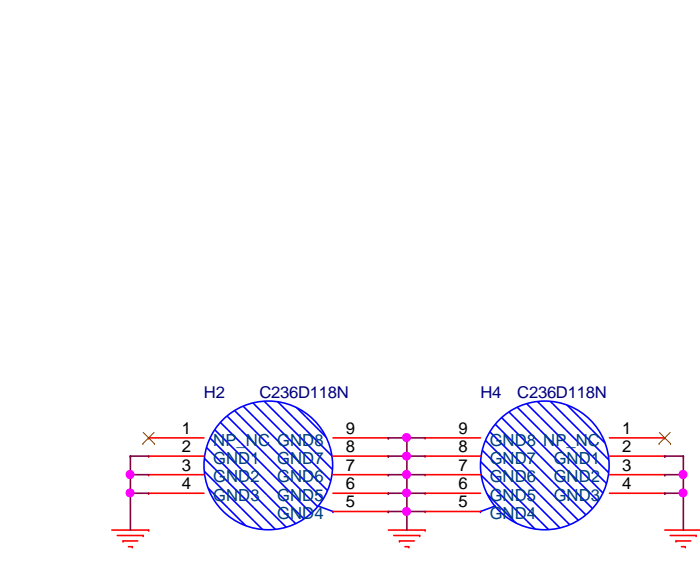
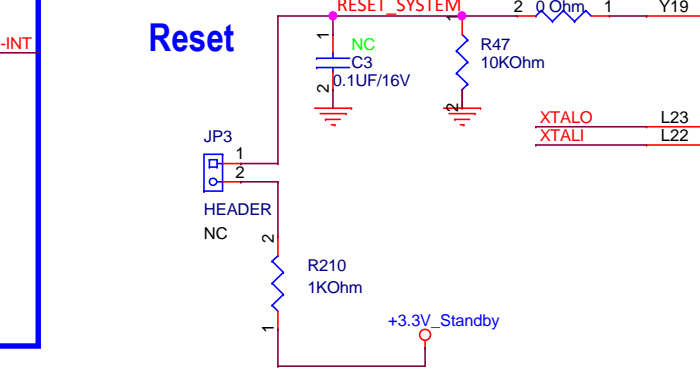
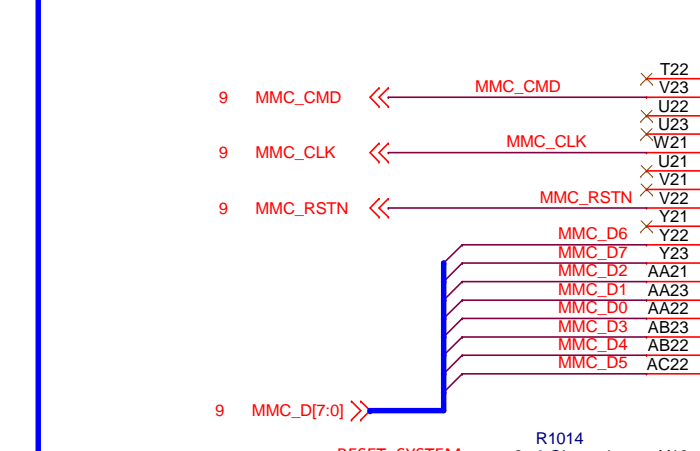
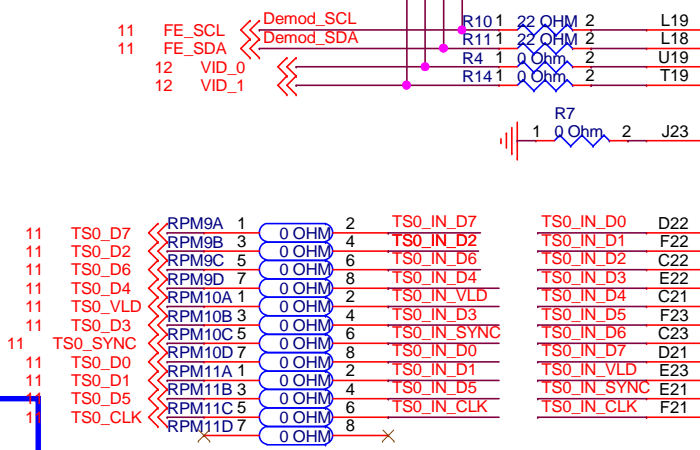
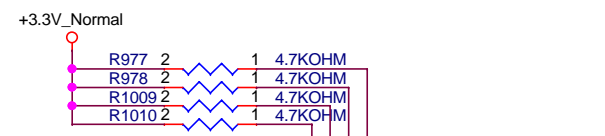
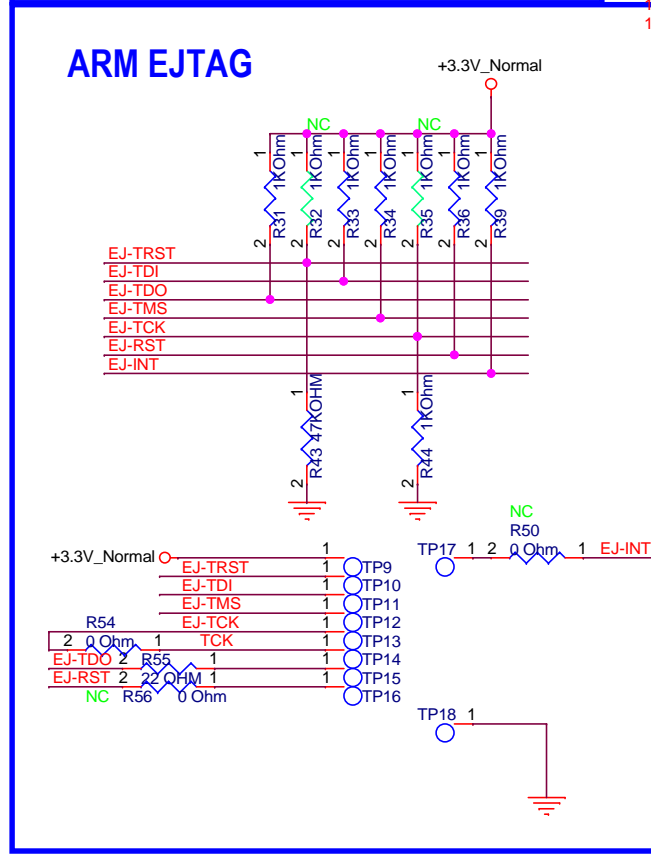
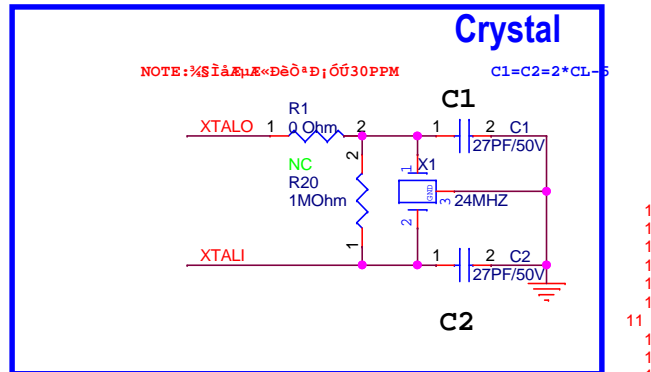
A



All information contained on this drawing is copyright of futarque A/S Denmark. Legal actions will be taken against any company using or copying the design/ideas or information contained on this drawing without prior written permission.

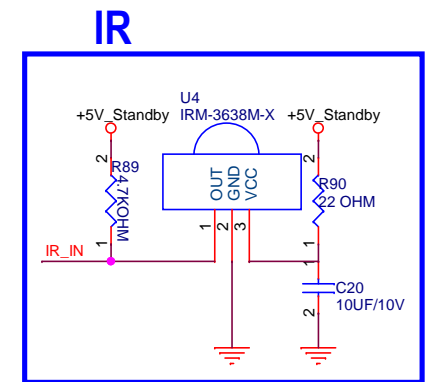
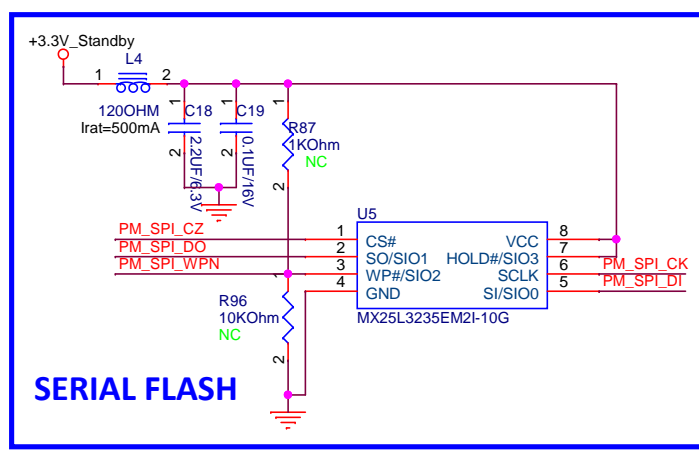
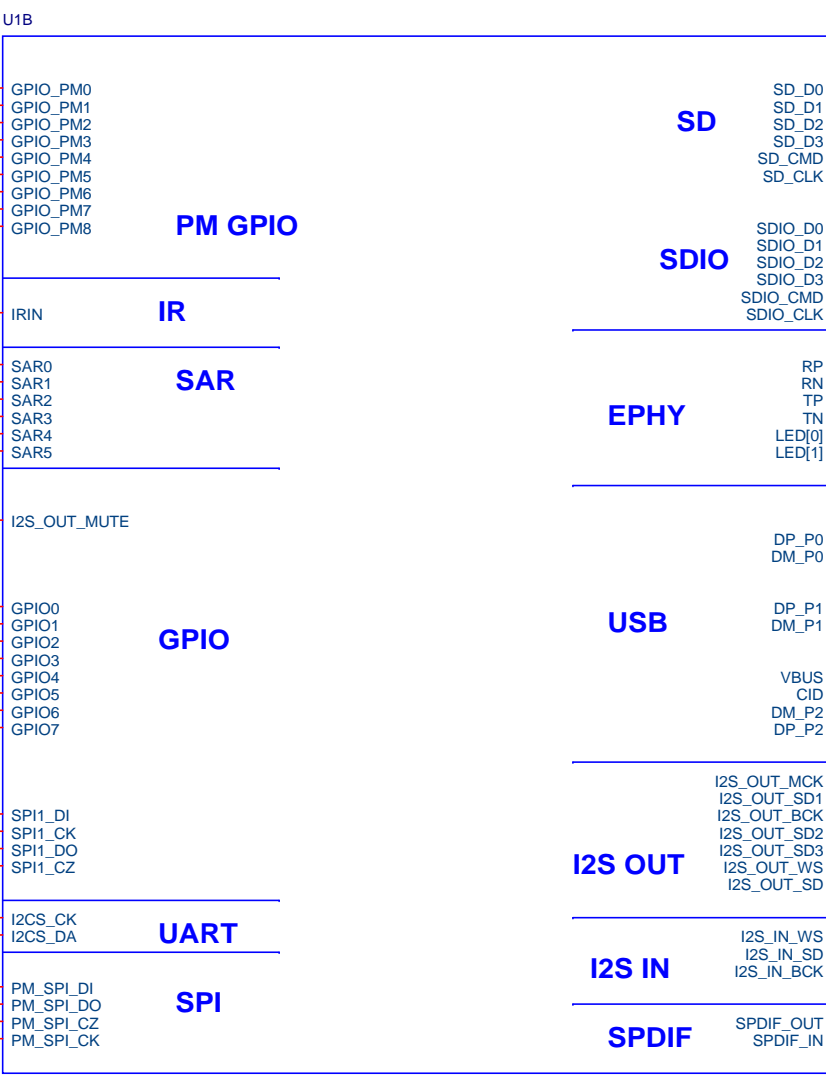
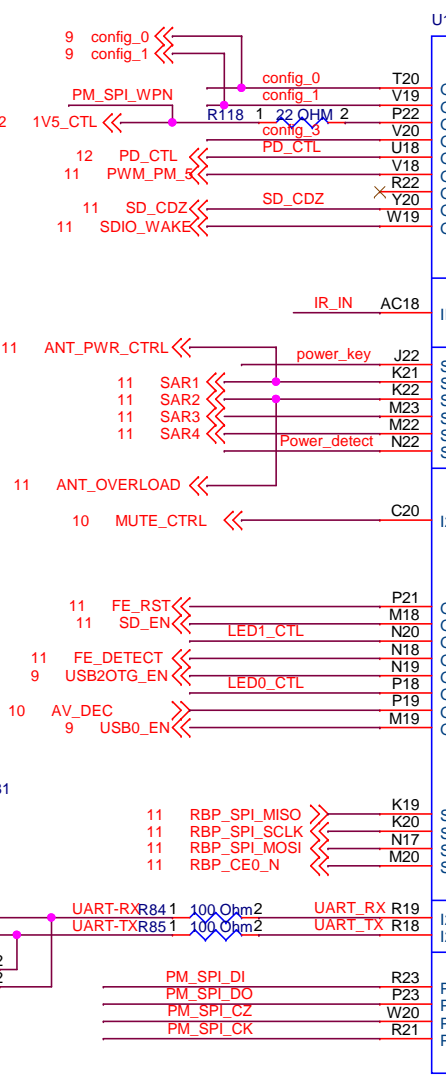
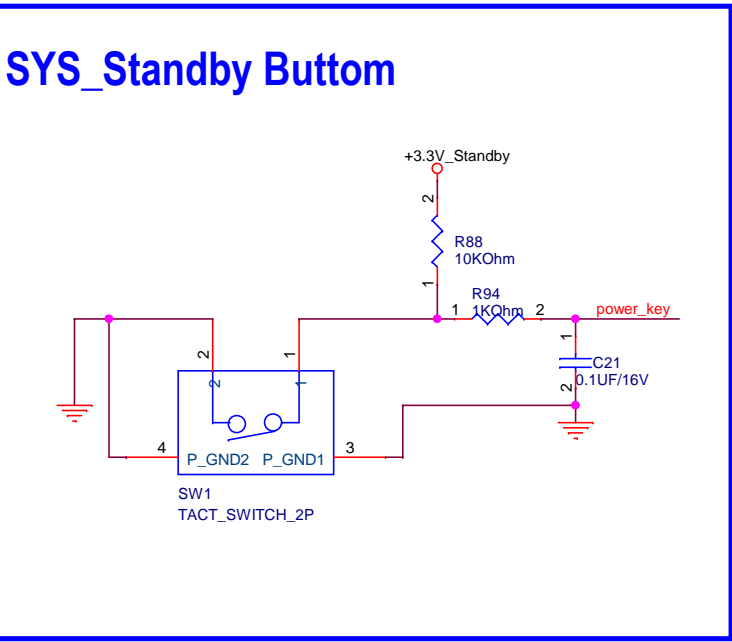
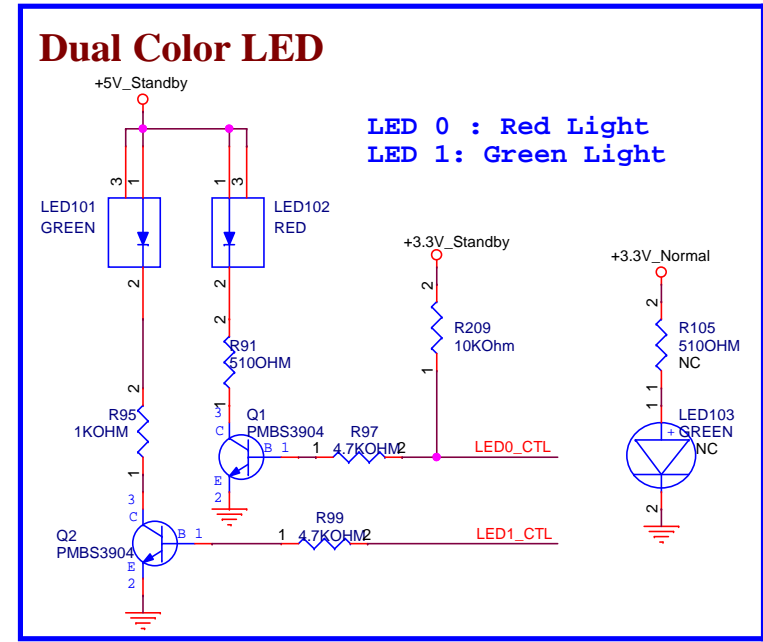
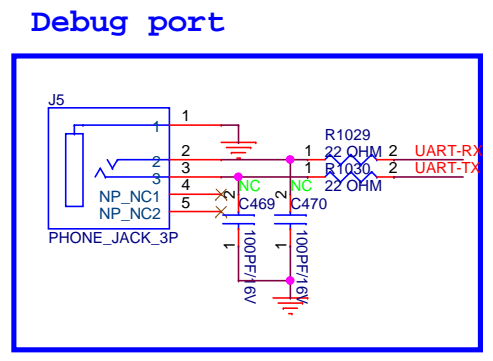
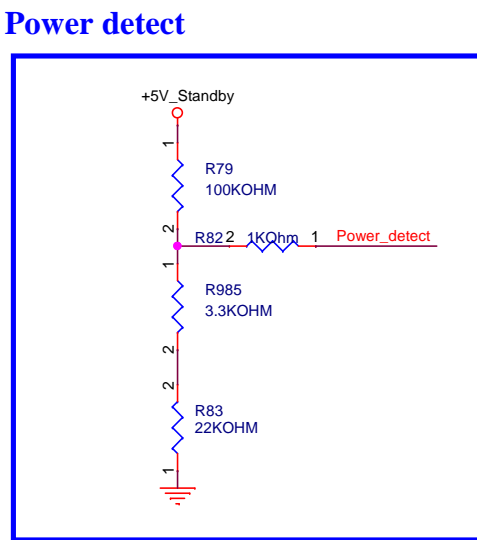
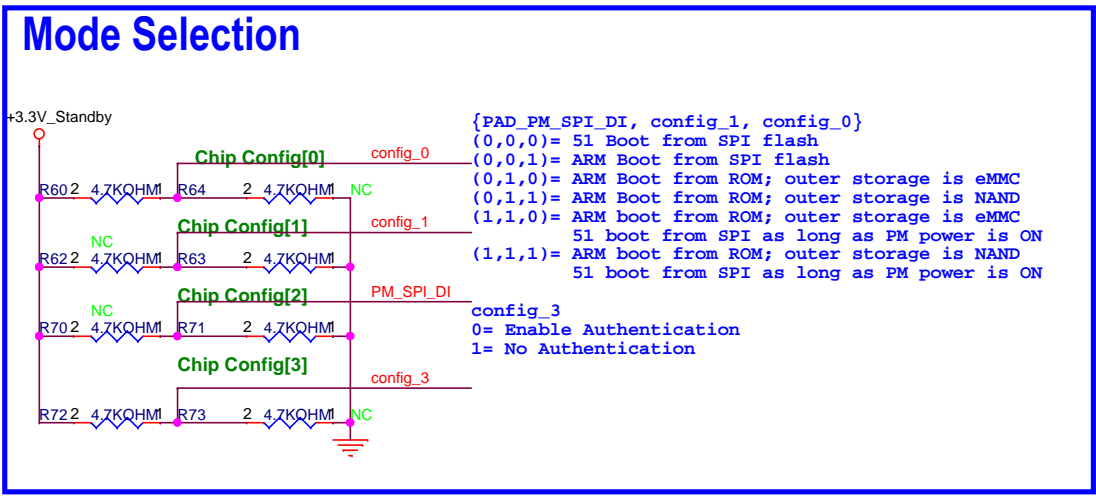
Title 15000_C1_RasPiB+		Variant <Variant Name>
Size B	Document Number 15000-3-00001	Rev 3.0
Date: Wednesday, January 27, 2016	Sheet 2 of 12	



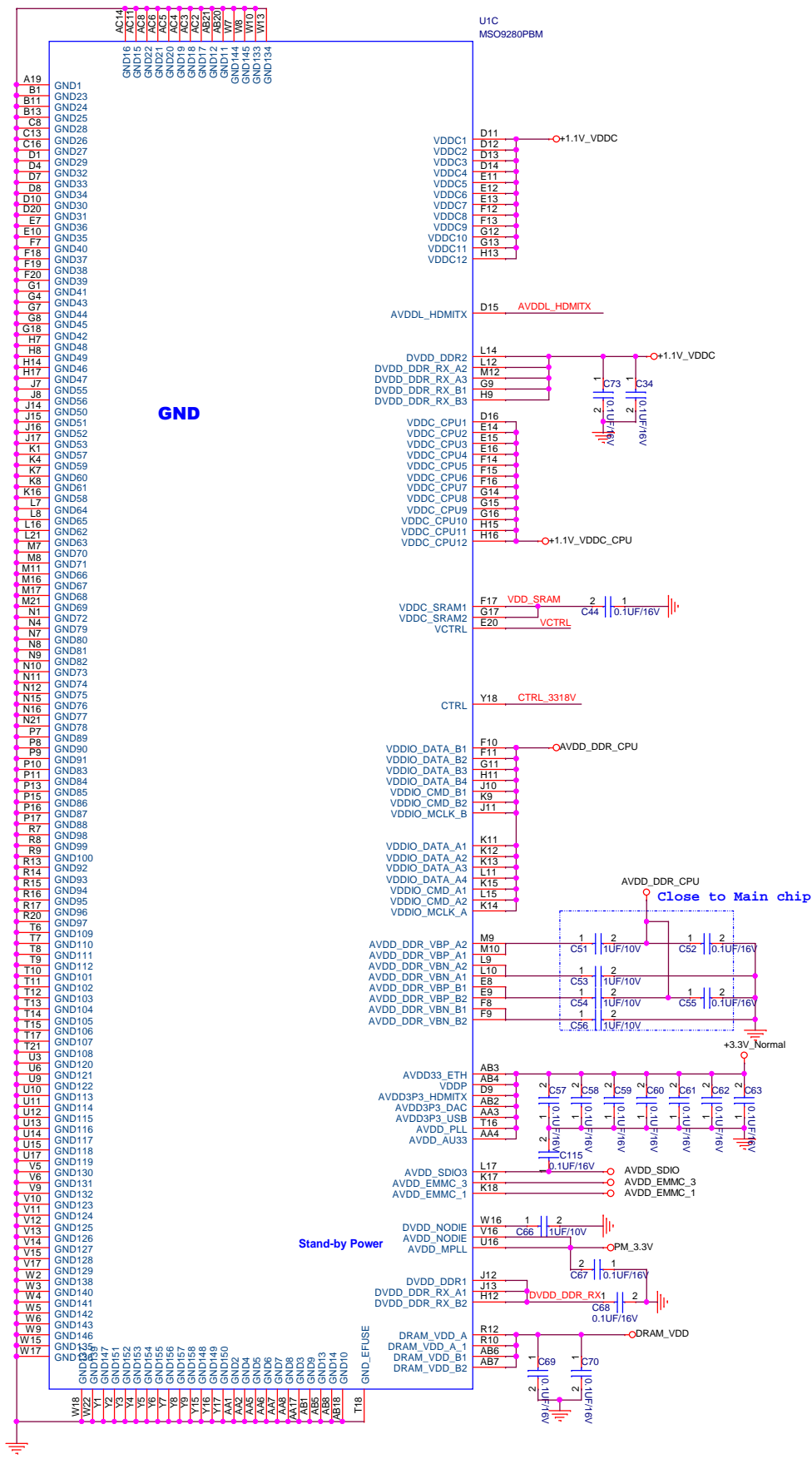


All information contained on this drawing is copyright of futarque A/S Denmark. Legal actions will be taken against any company using or copying the design/ideas or information contained on this drawing without prior written permission.

Title	15000_C1_RasPiB+	Variant	<Variant Name>
Size	Custom	Document Number	15000-3-00001
Date:	Thursday, January 28, 2016	Rev	3.0
		Sheet	4 of 12

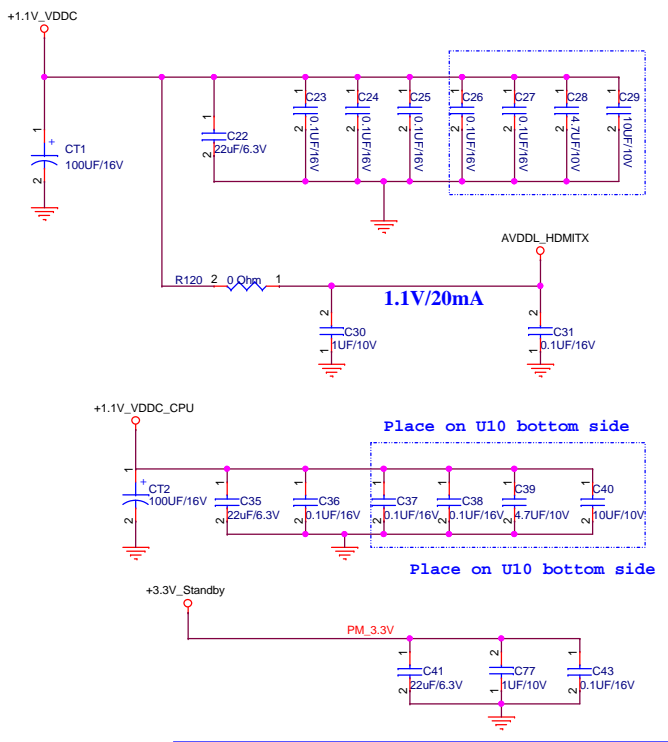






**GND**

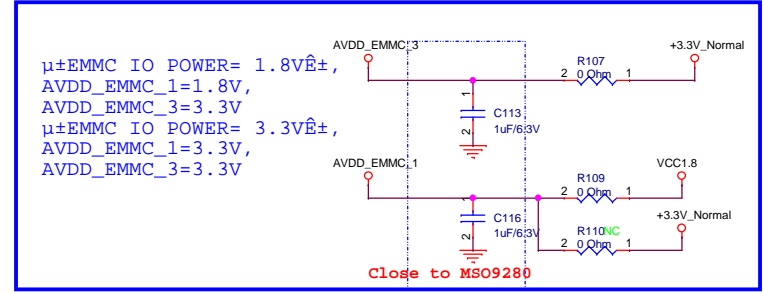
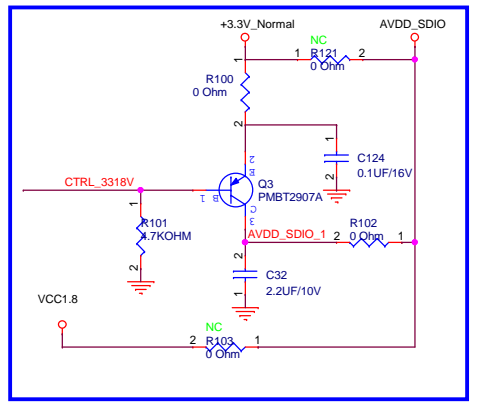
**Stand-by Power**



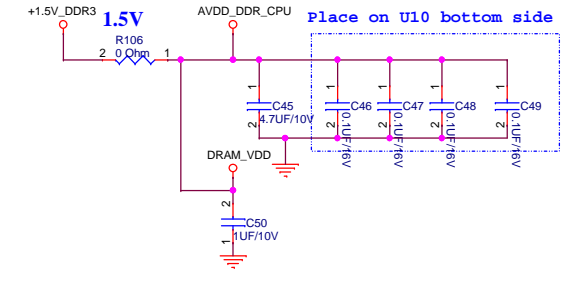
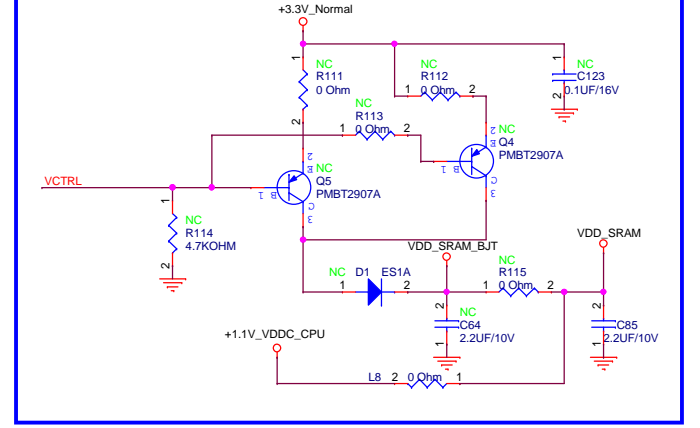
Place on U10 bottom side

Place on U10 bottom side

**SDIO 3.3V/1.8V switching power**



**VDD SRAM CTRL**



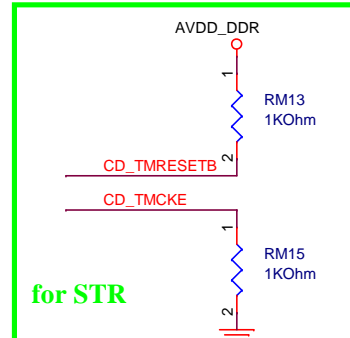
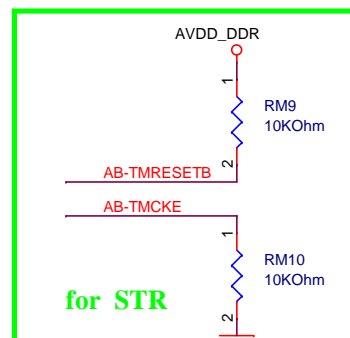
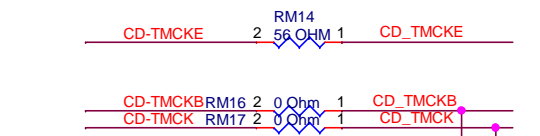
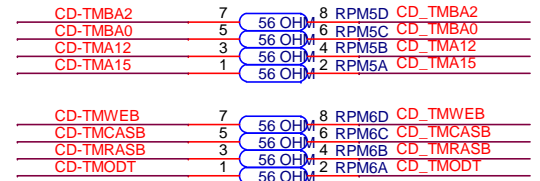
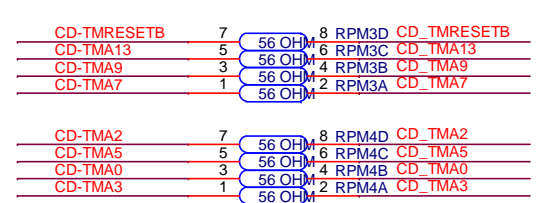
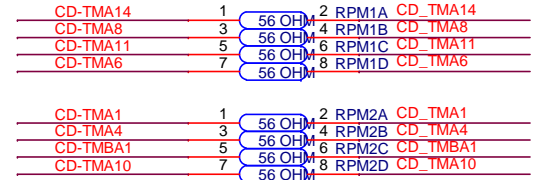
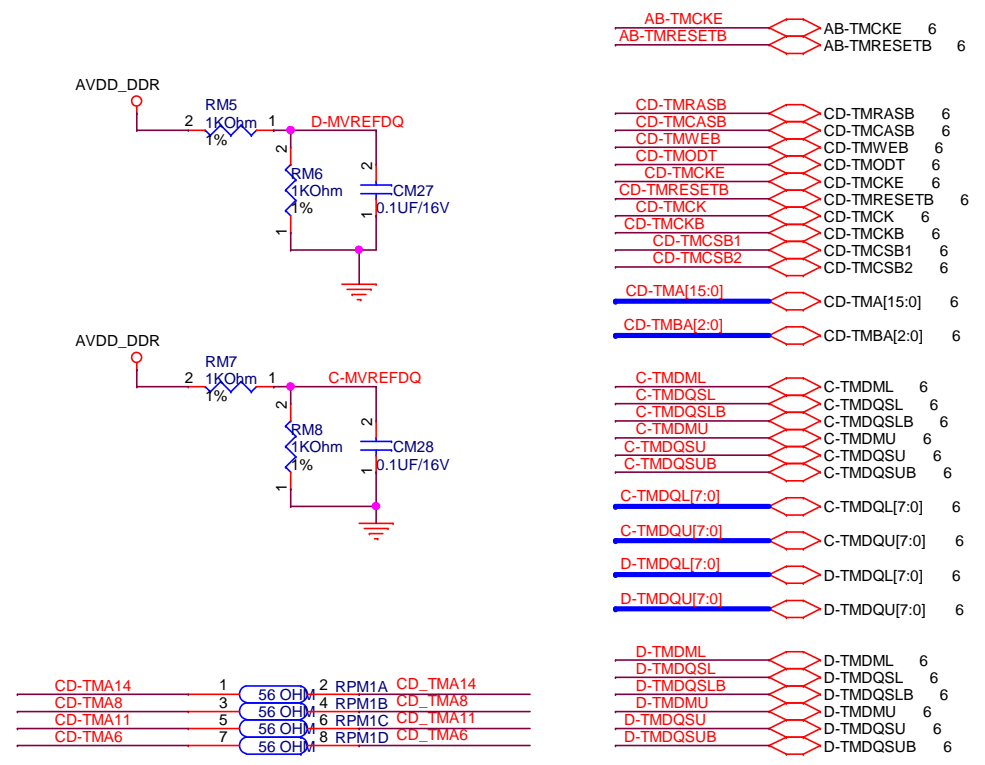
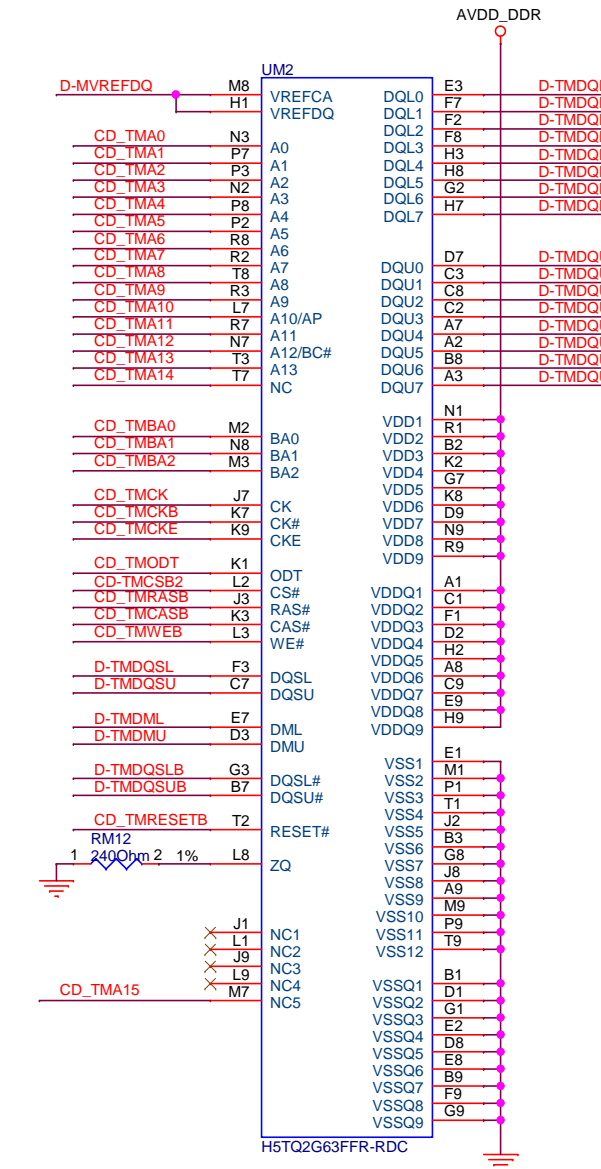
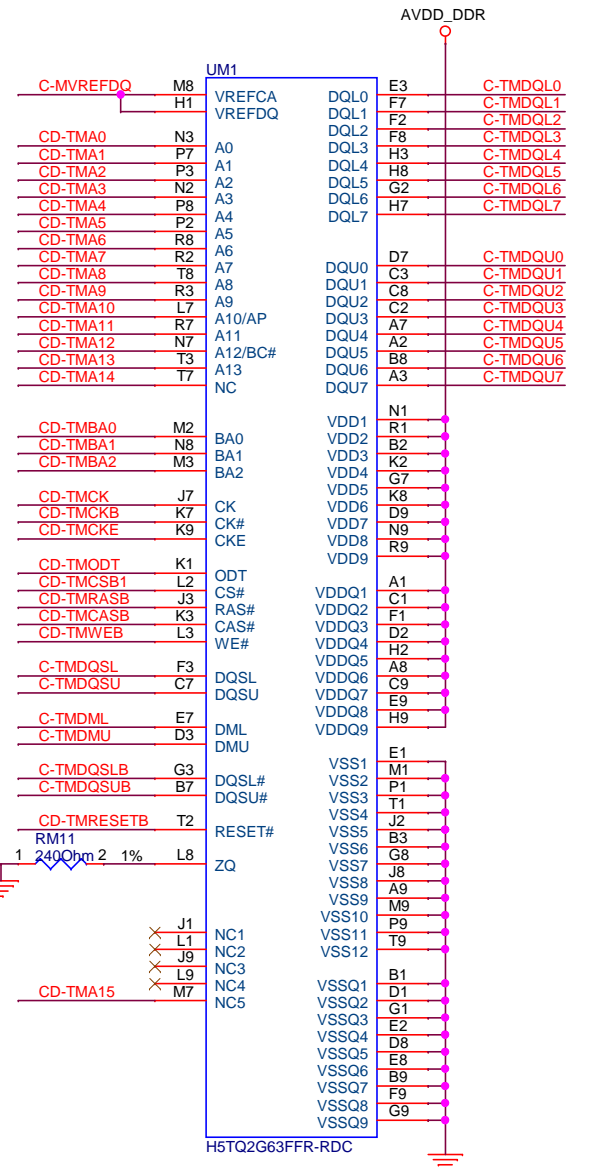
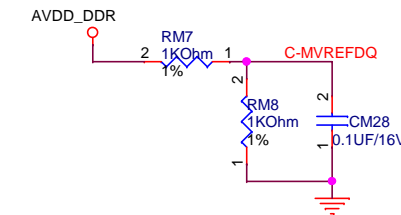
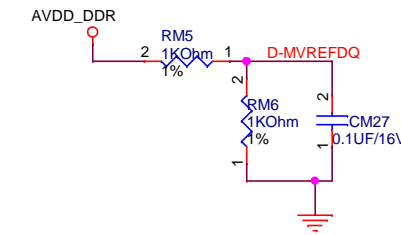
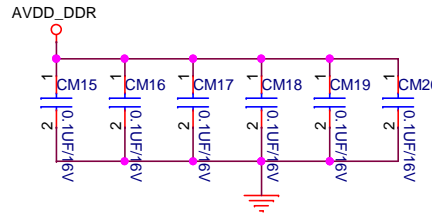
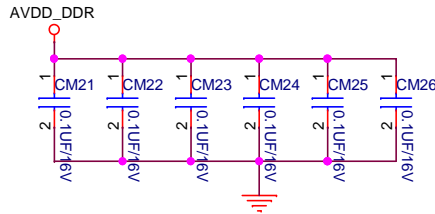
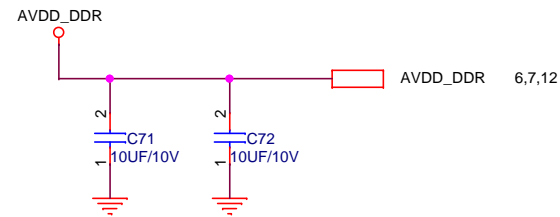
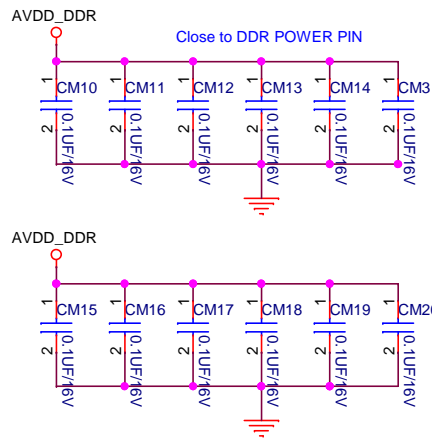
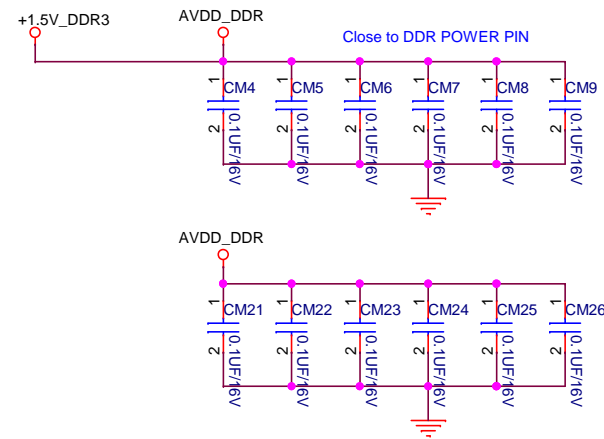
Place on U10 bottom side



All information contained on this drawing is copyright of Futarque AS, Denmark. Legal actions will be taken against any company using or copying the design/ideas or information contained on this drawing without prior written permission.

Title	15000_C1_RasPiB+	Variant	<Variant Name>
Size	Custom	Document Number	15000-3-00001
Date	Wednesday, January 27, 2016	Rev	3.0
		Sheet	7 of 12



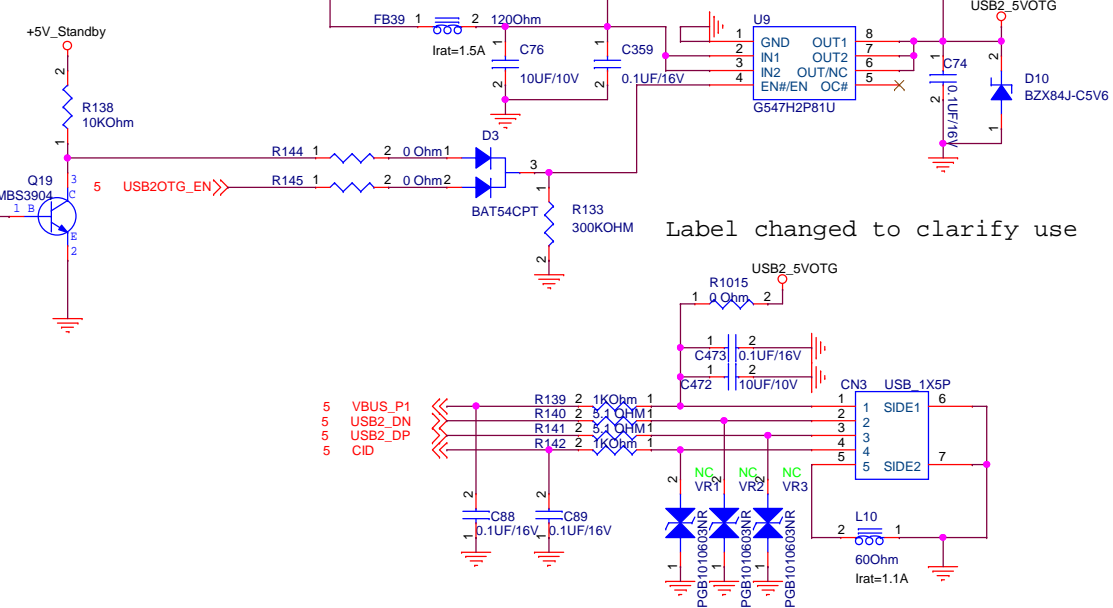
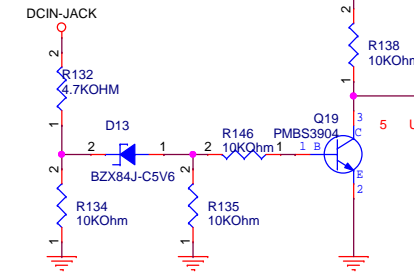
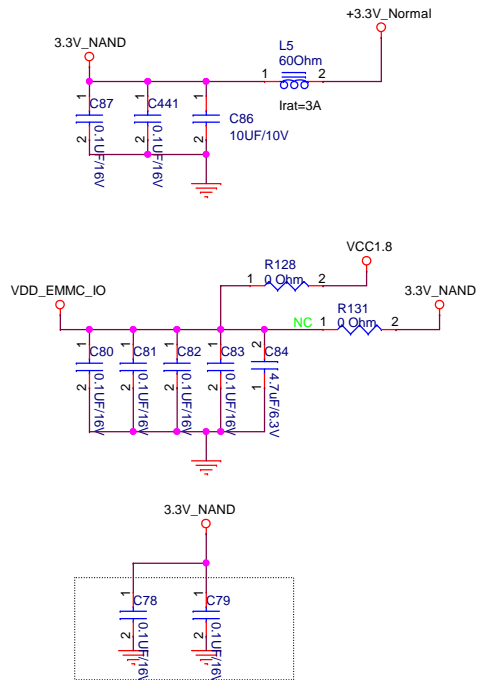
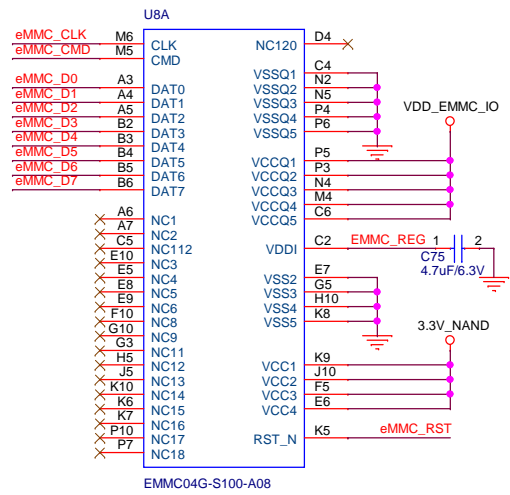


All information contained on this drawing is copyright of futarque A/S Denmark. Legal actions will be taken against any company using or copying the design/ideas or information contained on this drawing without prior written permission.

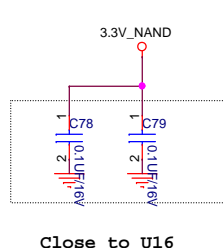
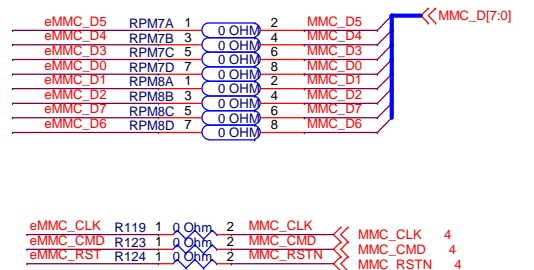
Title 15000_C1_RasPiB+		Variant <Variant Name>	
Size Custom	Document Number 15000-3-00001	Rev 3.0	
Date: Wednesday, January 27, 2016	Sheet 8 of 12		



U9.pin4(EN#)

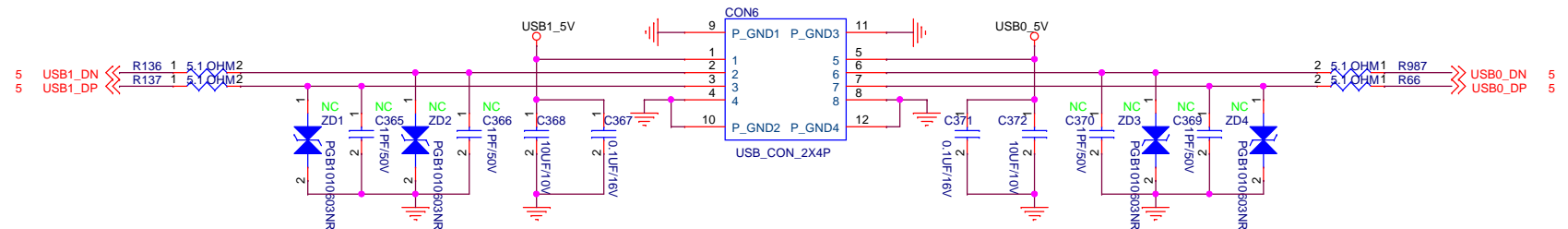
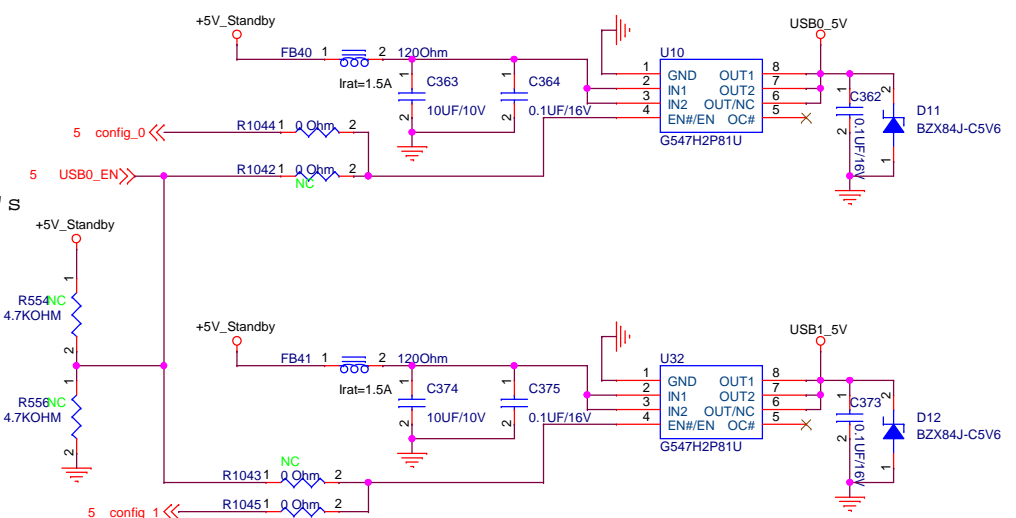


Label changed to clarify use



Close to U16

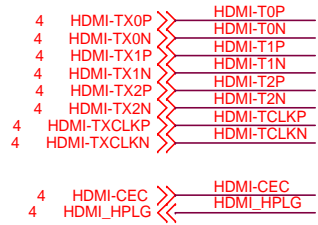
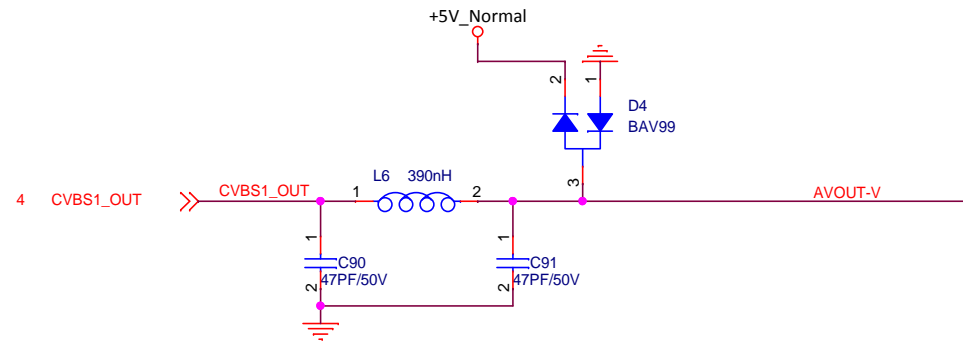
Just one enable for both USB's



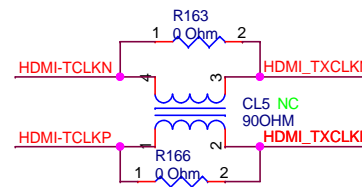
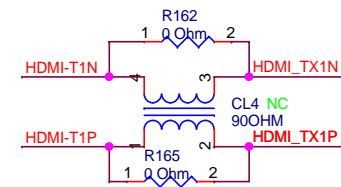
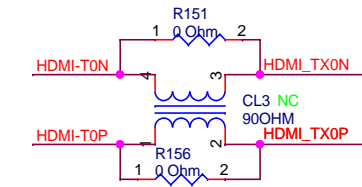
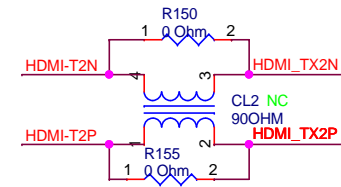
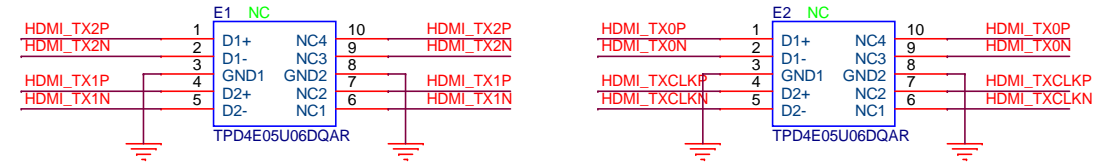
All information contained on this drawing is copyright of futarque A/S Denmark. Legal actions will be taken against any company using or copying the design or information contained on this drawing without prior written permission.

Title	15000_C1_RasPiB+		Variant	<Variant Name>	
Size	C	Document Number	15000-3-00001	Rev	3.0
Date:	Wednesday, January 27, 2016		Sheet	9 of 12	

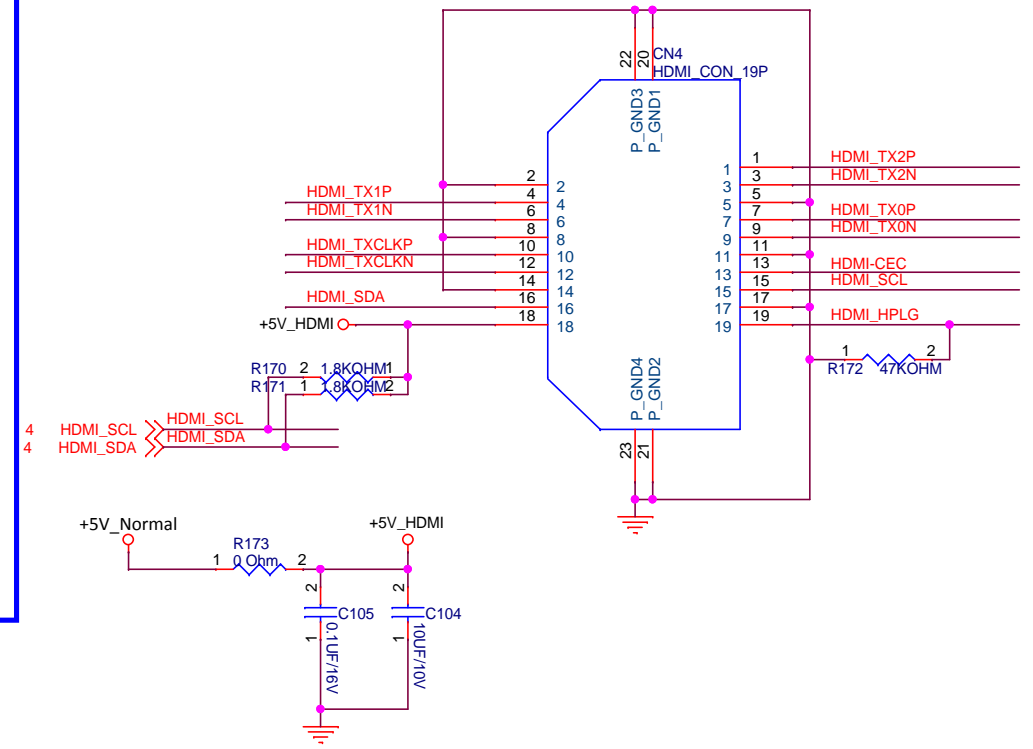
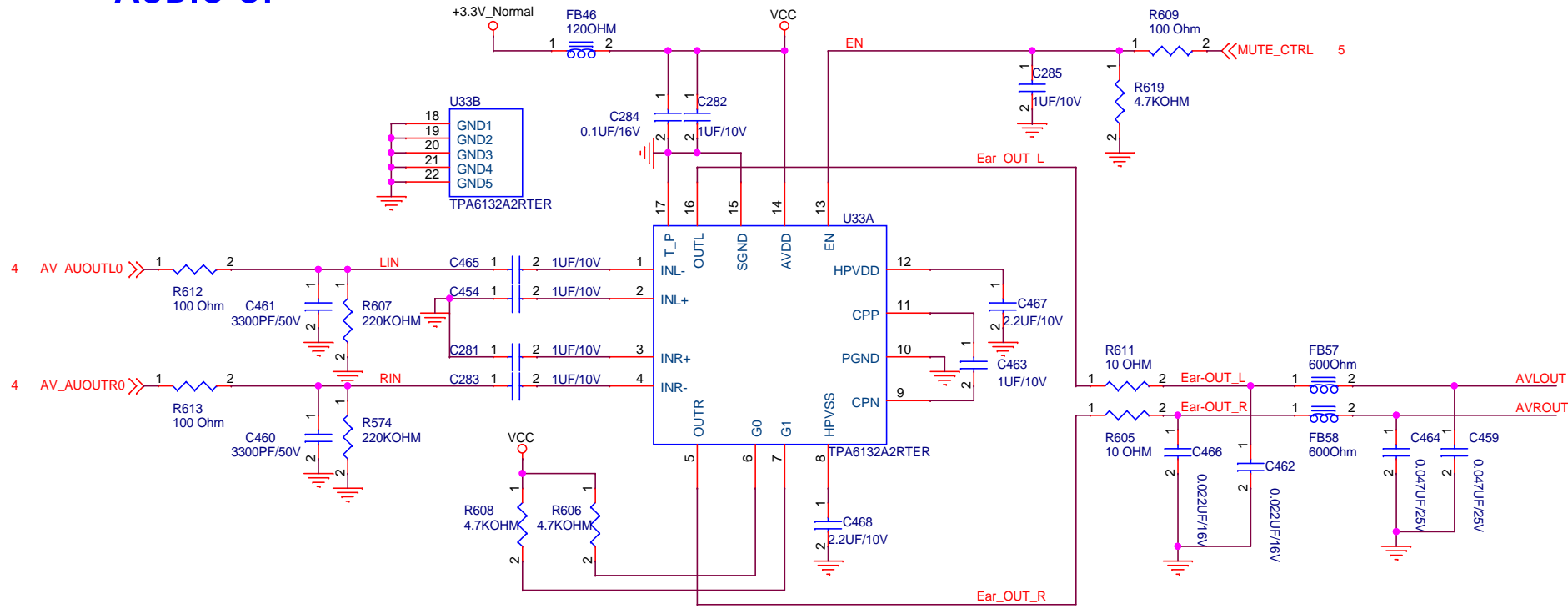
# CVBS IDAC Output Filter



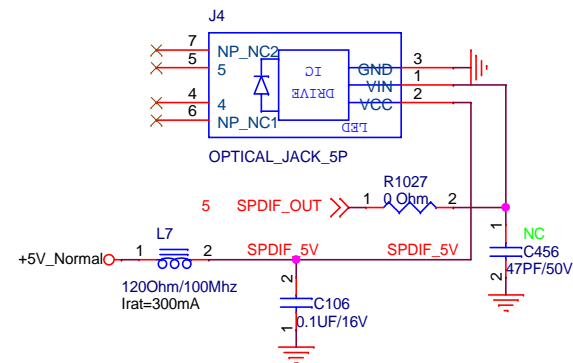
# HDMI TX



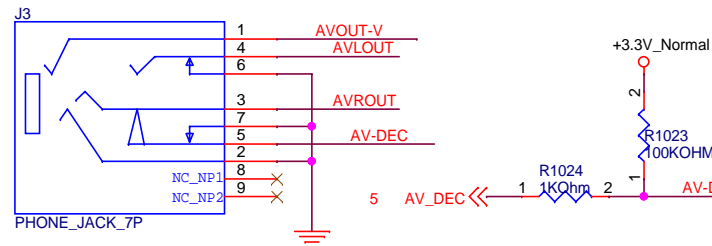
# AUDIO OP



# SPDIF



# AV OUT

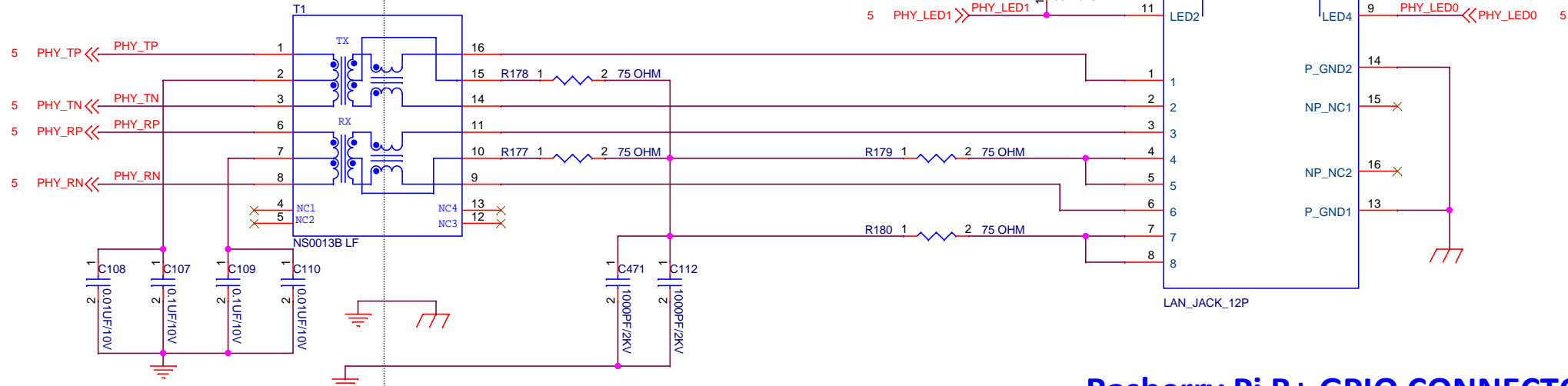


futarque

All information contained on this drawing is copyright of futarque A/S Denmark. Legal actions will be taken against any company using or copying the design/ideas or information contained on this drawing without prior written permission.

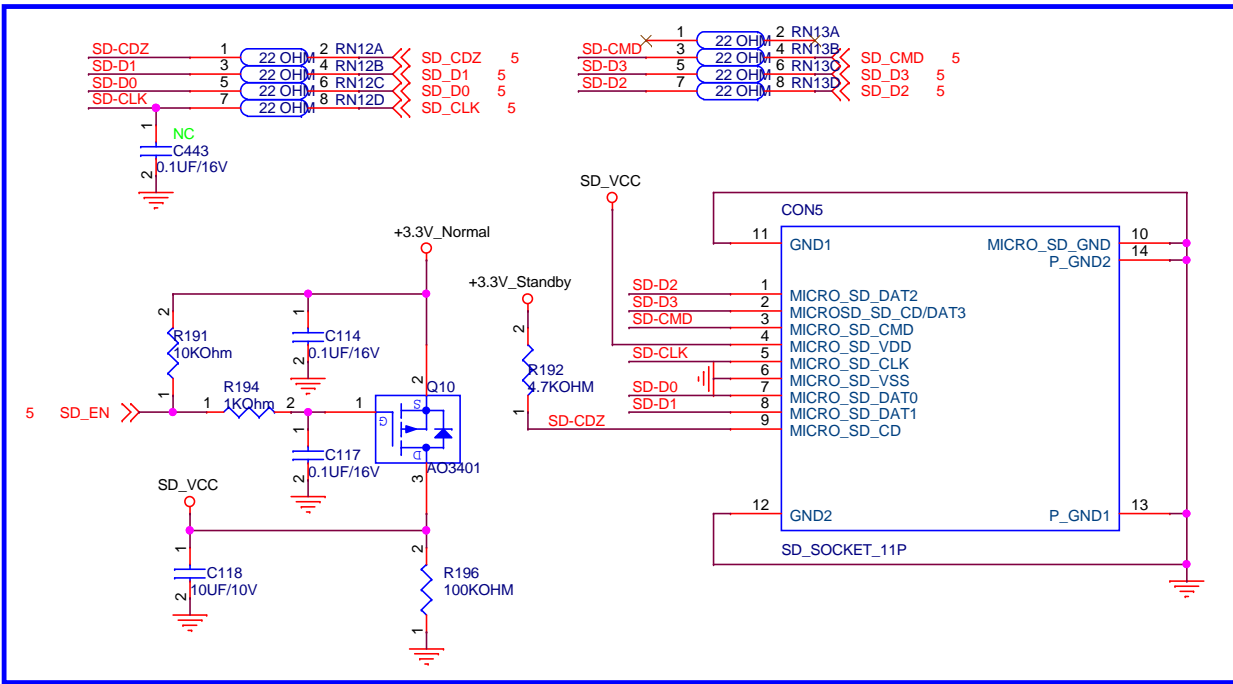
Title 15000_C1_RasPIB+		Variant <Variant Name>
Size Custom	Document Number 15000-3-00001	Rev 3.0
Date: Thursday, January 28, 2016	Sheet 10 of	12

PAD\_LED\_PM[1] Active when linked in 100Base-TX and blinking when transmitting or receiving  
 PAD\_LED\_PM[0] Active when linked.

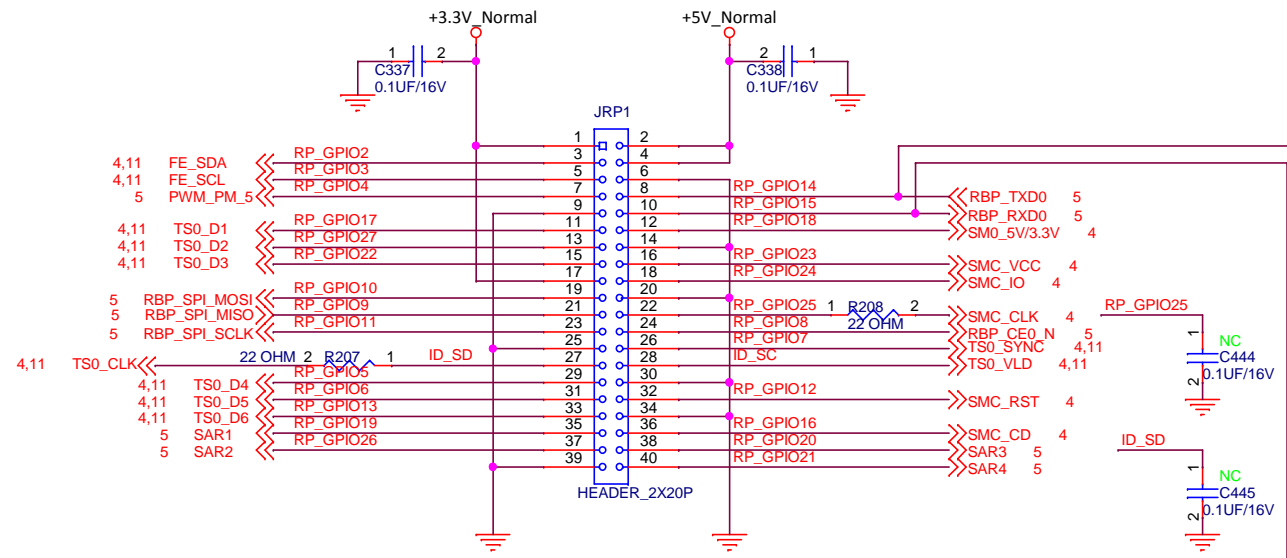


### Micro SD Connector

Changed to GND for EMI

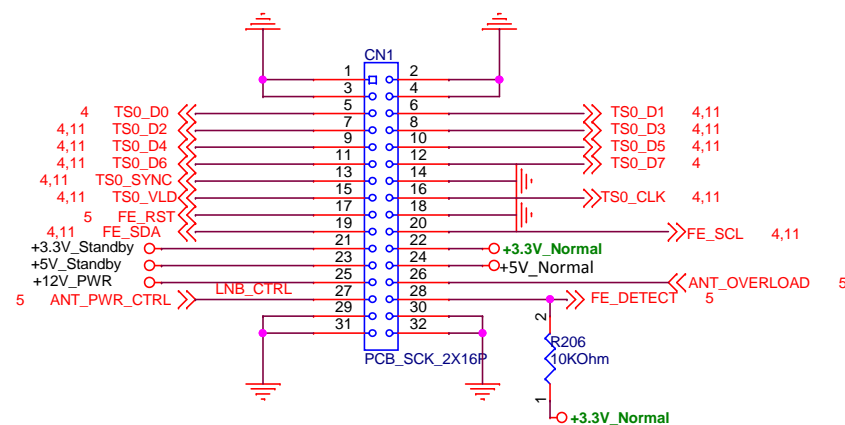


### Raspberry Pi B+ GPIO CONNECTOR

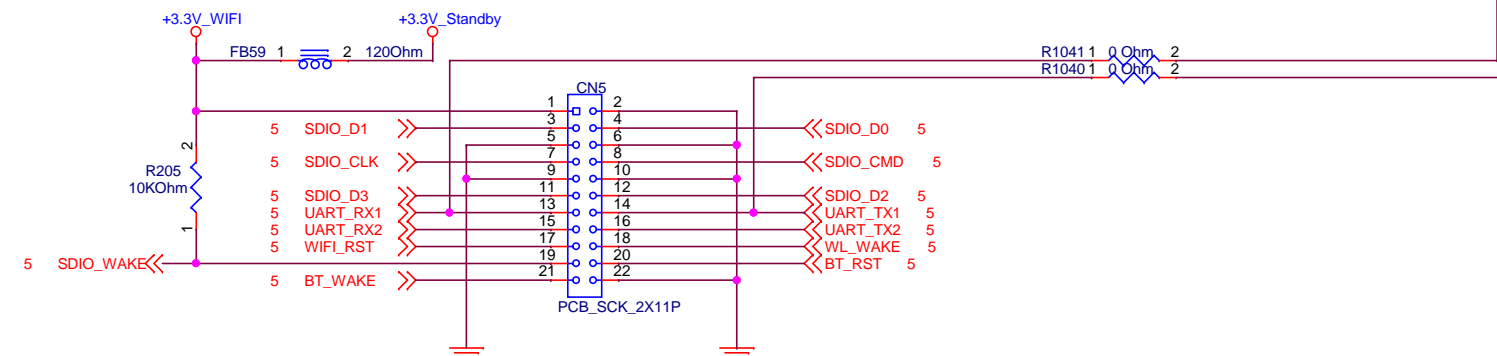


ONLY RB Pi Expansion board  
 OR Digital TV frontend/SmartCard board  
 NOT both at the same time

### Transport Stream Interface



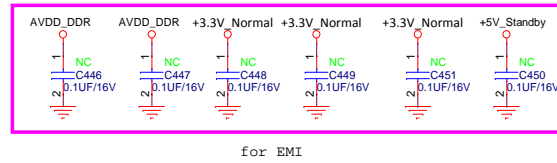
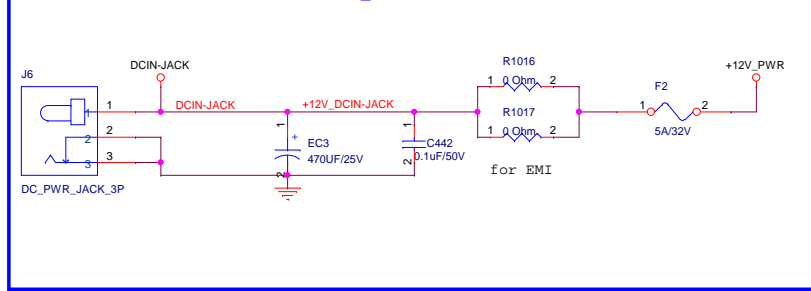
### SDIO intended for custom WIFI/BT card



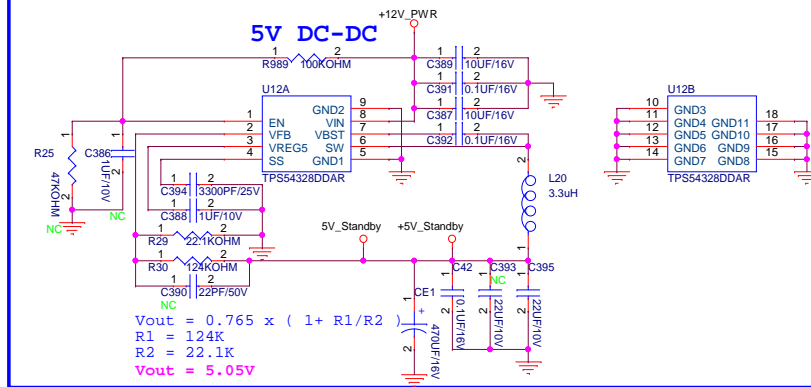
All information contained on this drawing is copyright of futarøque A/S Denmark. Legal actions will be taken against any company using or copying the design/ideas or information contained on this drawing without prior written permission.

Title	15000_C1_RasPiB+	Variant	<Variant Name>
Size	Custom	Document Number	15000-3-00001
Date:	Wednesday, January 27, 2016	Rev	3.0
		Sheet	11 of 12

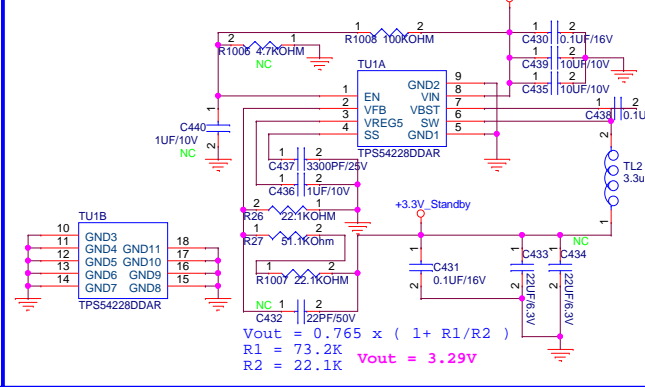
## +12V DC-POWER Input



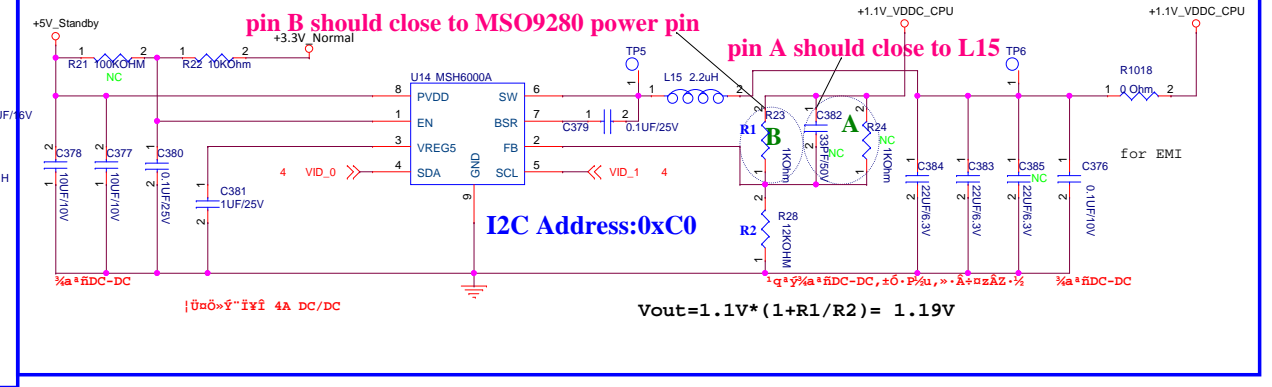
## +5V Power For Standby



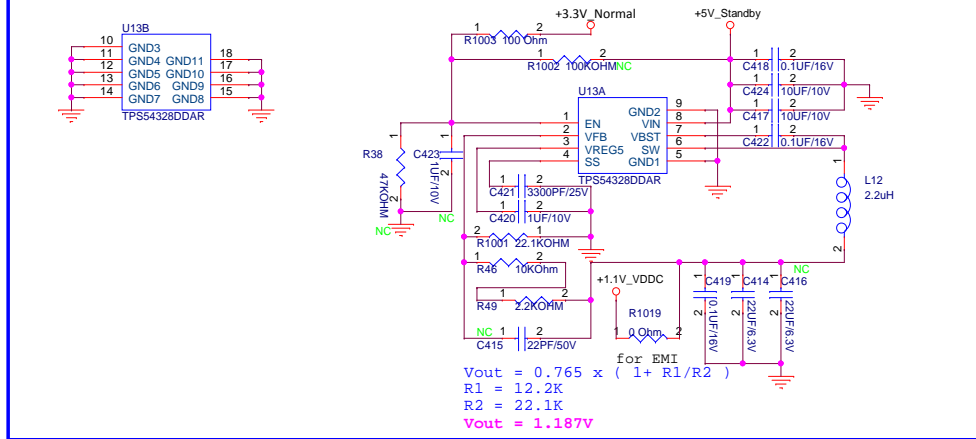
## +3.3V Standby



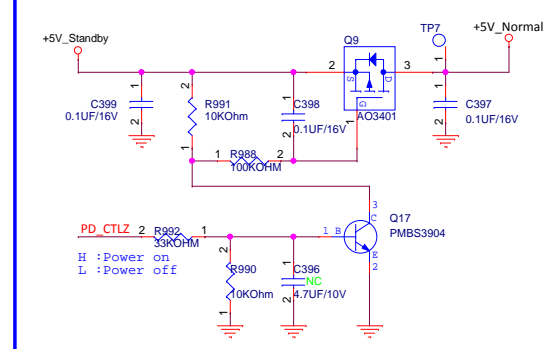
## +1.1V CPU Power (Only for CPU)



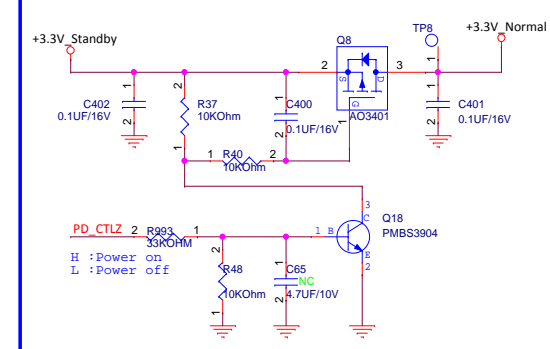
## +1.1V Core Power



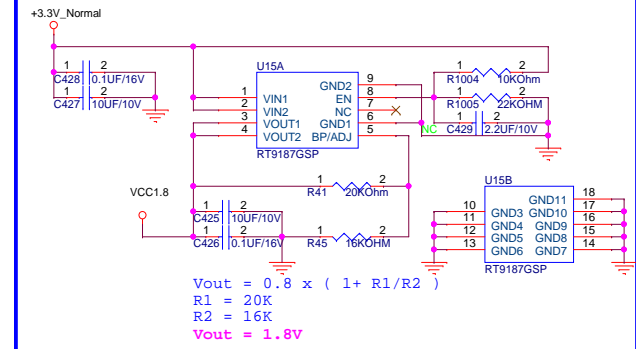
## +5V Normal Power



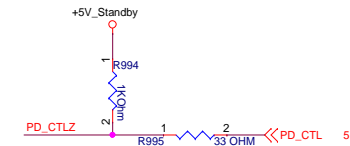
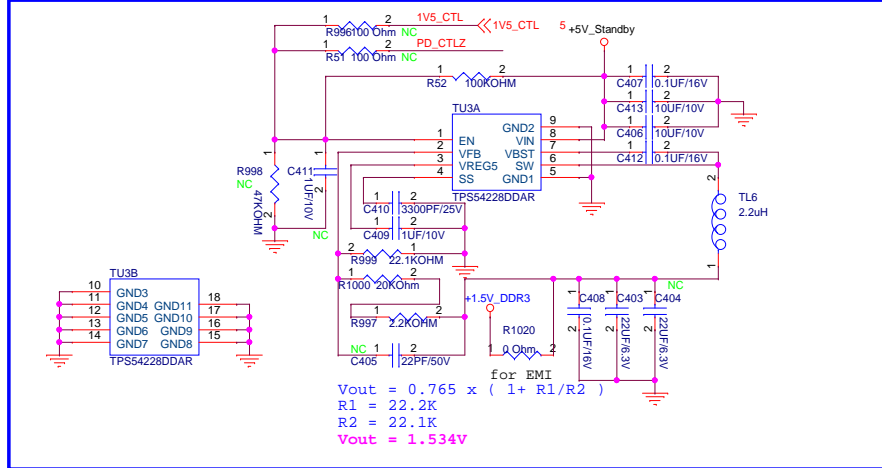
## 3.3V Normal



## 1.8V Normal Power for Level shift



## +1.5V DDR3 Power



High = On  
Low = Off